



Ty-Rap®

T&B Catalog Number:

TC345AX

UPC Number:

78621006683

Description:

Cable Tie 4-Way Mounting Base 1x1"
Black Nylon 6.6 Weather Resistant Adhesive/Screw Mounting- #8 Screw For Use with Cable Ties Up to 50 lbs.

Status:

Active

Features

Eliminates errors in premounting the base with respect to its orientation to wire bundle direction.

General

Material	Nylon 6.6 Weather Resistant
Color	Black
Mounting Method	Adhesive/Screw
Stud Size	#8 Screw
Max Tie Width Accepted	.19
For Cable Ties	Up to 50 lbs.

Dimension Information

Length (inches)	1.125
Width (inches)	1.125

Specifications

Temperature Rating	-40°F to 185°F
Flammability Rating	UL 94 V-2

Packaging

T&B Order Multiple	1000
T&B Inner Pack	1000
Package in Units	5000
Package Type	Bulk
T&B Sold in UOM	Each
T&B Weight Per UOM	0.41 lbs. per 100

Application Support

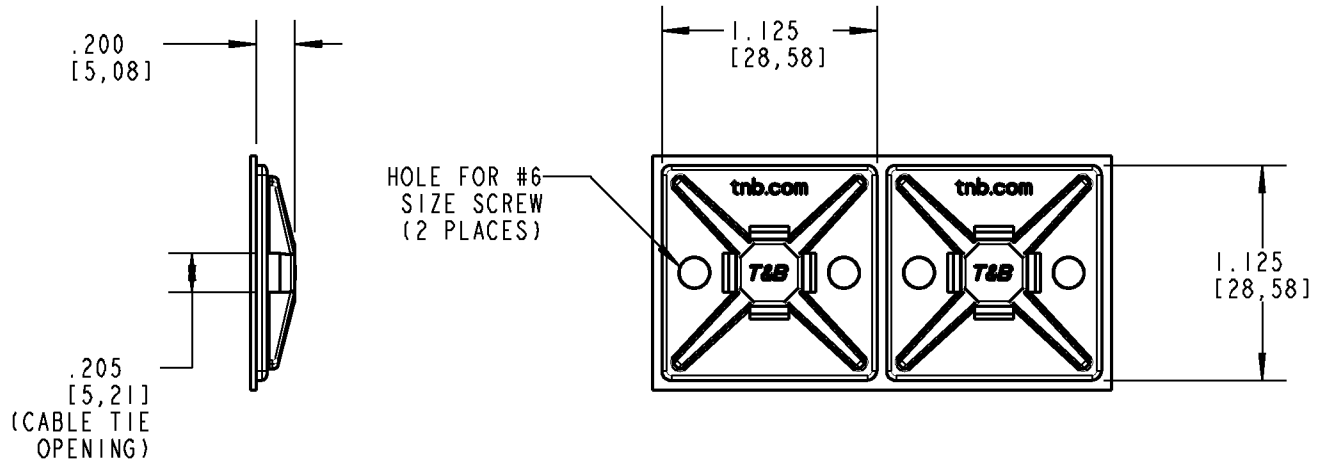
T&B Sales Drawings	wsd-000068
Material Selection Guide	Available on Website

Certifications

RoHS Compliance	Yes
-----------------	-----



CABLE FASTENING ACCESSORIES



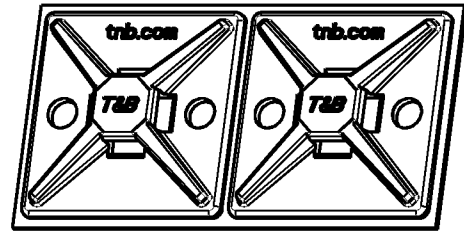
SPECIFICATIONS:

MATERIAL: NYLON

ADHESIVE: SYNTHETIC RUBBER RESIN OR SOLVENT-BASED ACRYLIC (AS INDICATED)

APPLICATION TEMPERATURE: 65°F TO 120°F (18°C TO 49°C)
STORAGE/SERVICE TEMPERATURE: 32°F TO 150°F (0°C TO 65°C)

SURFACE PREPARATION: SURFACE SHOULD BE CLEANED WITH ALCOHOL-BASED (IPA) CLEANER BEFORE APPLICATION.



NOTES.

1. ACRYLIC BASED MOUNTS MAY BE REPOSITIONED INITIALLY. ALLOW 24-72 HOURS SET-UP FOR MAXIMUM PERFORMANCE ADHESION.
2. FOR RUBBER-BASED MOUNTS, ALLOW 15 MINUTES SET-UP FOR MAXIMUM PERFORMANCE ADHESION.

* EXPIRATION DATE INDICATED ON PACKAGING.

CAT. No.	MATERIAL	MOUNTING METHOD	COLOR	PKG. QTY.
TC5345A	NYLON NATURAL	SYNTHETIC RUBBER ADHESIVE	WHITE	100
TC5345AHTFR	NYLON FLAME RETARDANT	ACRYLIC ADHESIVE	WHITE	100
TC5345AX	NYLON WEATHERABLE	SYNTHETIC RUBBER ADHESIVE	BLACK	100
TC345A	NYLON NATURAL	SYNTHETIC RUBBER ADHESIVE	WHITE	1000
TC345	NYLON NATURAL	SCREW MOUNT (NO ADHESIVE)	WHITE	1000
TC345AFR	NYLON FLAME RETARDANT	SYNTHETIC RUBBER ADHESIVE	WHITE	1000
TC345AHTFR	NYLON FLAME RETARDANT	ACRYLIC ADHESIVE	WHITE	1000
TC345AX	NYLON WEATHERABLE	SYNTHETIC RUBBER ADHESIVE	BLACK	1000

GENERAL NOTES

1. ALL DIMENSIONS ARE FOR REFERENCE ONLY.
2. DIMENSIONS IN BRACKETS [] ARE IN METRIC UNITS.

REVISIONS

-	SEE ERN (****) FOR APPROVAL SIGNATURES & RELEASE DATE. PROJECT NO: ****
---	--

Thomas & Betts

www.tnb.com

DESCRIPTION:

CABLE TIE MOUNTING BASE

ORIGINAL PROJECT NO / (ERN NO)

FM40109 / (2004200)

SHEET NO:

1 OF 1

REV. NO:

-

DRAWING NO:

WSD-000068

Cable Tie Mounting Bases

Choose from adhesive-backed, epoxy or screw mounting bases!

Two-Way Adhesive Mounting Bases



- Available in a variety of materials for both indoor and outdoor use
- One-piece molding — no lost parts
- Adhesive-backed with pressure-sensitive adhesive tape (where applicable)

STD. PKG. CAT. NO.	BULK PKG. CAT. NO.	MOUNTING METHOD	MAX. TIE WIDTH ACCOM.	LENGTH IN./MM.	WIDTH IN./MM.	MATERIAL	STD. PKG. QTY.	BULK PKG. QTY.
TC5342A	TC342A	SRA* Adhesive	.19	1.13/28.58	1.13/28.58	Nylon 6.6	100	1,000
—	TC342A-X	SRA* Adhesive	.19	1.13/28.58	1.13/28.58	Weatherable Nylon	—	1,000
—	TC342	TC2PA	.19	1.13/28.58	1.13/28.58	Nylon 6.6	—	1,000
—	TC342X	TC2PA	.19	1.13/28.58	1.13/28.58	Weatherable Nylon	—	1,000
—	TC342A-FR	SRA* Adhesive	.19	1.13/28.58	1.13/28.58	Flame-Retardant Nylon	—	1,000
—	TC342AH-TFR	Acrylic Adhesive	.19	1.13/28.58	1.13/28.58	Black High-Temp Flame-Retardant Nylon	—	1,000

Temperature Rating: -32° F to 150° F (0° C to 66° C)

*Synthetic Rubber Adhesive

Select the Four-way configuration you need!

Four-Way Adhesive Mounting Base



Four-Way Mini Base



Large Four-Way Base



- Eliminates errors in premounting the base with respect to its orientation to wire bundle direction
- Convenient way to mount wire bundles at cross-over points — two optional mounting holes included

STD. PKG. CAT. NO.	BULK PKG. CAT. NO.	MOUNTING METHOD	MAX. TIE WIDTH ACCOM.	LENGTH IN./MM.	WIDTH IN./MM.	MATERIAL	STD. PKG. QTY.	BULK PKG. QTY.
4-Way Adhesive Mounting Base								
TC5345A	TC345A	SRA* Adhesive	.19	1.13/28.58	1.13/28.58	Nylon 6.6	100	1,000
—	TC345AFR	SRA* Adhesive	.19	1.13/28.58	1.13/28.58	Flame-Retardant Nylon	—	1,000
TC5345AX	TC345AX	SRA* Adhesive	.19	1.13/28.58	1.13/28.58	Weatherable Nylon	100	1,000
TC5345AHTFR	TC345AHTFR	Acrylic Adhesive	.19	1.13/28.58	1.13/28.58	Black High-Temp Flame-Retardant Nylon	100	1,000
—	TC345	TC2PA/Screws	.19	1.13/28.58	1.13/28.58	Nylon 6.6	—	1,000
4-Way Mini Base								
TC950X050A-C	TC050X050A	SRA* Adhesive	.10	0.5/12.70	0.5/12.70	Nylon 6.6	100	1,000
TC950X050-C	TC050X050AX	SRA* Adhesive	.10	0.5/12.70	0.5/12.70	Weatherable Nylon	100	1,000
TC5344A	TC344A	SRA* Adhesive	.14	.75/19.05	.75/19.05	Nylon 6.6	100	1,000
TC5344AX	TC344AX	SRA* Adhesive	.14	.75/19.05	.75/19.05	Weatherable Nylon	100	1,000
TC5344	TC344	Screw Mount	.14	.75/19.05	.75/19.05	Nylon 6.6	100	1,000
Large 4-Way Base								
TC150X150L	TC150X150	Screw Mount	.19	1.5/38.10	1.5/38.10	Nylon 6.6	50	500
TC150X150A-L	TC150150A	SRA* Adhesive	.19	1.5/38.10	.5/38.10	Nylon 6.6	50	500
TC150X150AX-L	TC150X150AX	SRA* Adhesive	.19	1.5/38.10	.5/38.10	Weatherable Nylon	50	500
TC200X200-L	TC200X200	Screw Mount	.30	2.0/50.80	2.0/50.80	Nylon 6.6	50	500
TC200X200A-L	TC200X200A	SRA* Adhesive	.30	2.0/50.80	2.0/50.80	Nylon 6.6	50	500
—	TC200X200AX	SRA* Adhesive	.30	2.0/50.80	2.0/50.80	Weatherable Nylon	—	500
—	TC368	Screw Mount	.75	2.0/50.80	2.0/50.80	Nylon 6.6	—	500
—	TC368A	SRA* Adhesive	.75	2.0/50.80	2.0/50.80	Nylon 6.6	—	500

Temperature Rating: -32° F to 150° F (0° C to 66° C)

*Synthetic Rubber Adhesive

Great versatility!

Two- and Four-Way Adhesive Mounting Base



- Accommodates the entire line of standard cable ties
- 4-way base for cable ties up to .184" maximum width and a two-way base for ties up to .301" maximum width
- It may also be mounted with #8 size screw (2 holes)

STD. PKG. CAT. NO.	BULK PKG. CAT. NO.	MOUNTING METHOD	MAX. TIE WIDTH ACCOM.	LENGTH (IN.)	WIDTH (IN.)	MATERIAL	STD. PKG. QTY.	BULK PKG. QTY.
TC5347A	TC347A	SRA* Adhesive	.30	1.13/28.58	1.13/28.58	Nylon 6.6	100	1,000
TC5347AX	—	SRA* Adhesive	.30	1.13/28.58	1.13/28.58	Weatherable Nylon	100	—
—	TC347	TC2PA/Screws	.30	1.13/28.58	1.13/28.58	Nylon 6.6	—	1,000
—	TC347FR	TC2PA/Screws	.30	1.13/28.58	1.13/28.58	Flame-Retardant	—	1,000
—	TC347X	TC2PA/Screws	.30	1.13/28.58	1.13/28.58	Weatherable Nylon	—	1,000
—	TC2947	TC2PA/Screws	.30	1.13/28.58	1.13/28.58	Radiation Resistant Flouropolymer	—	1,000

Temperature Rating: -32° F to 150° F (0° C to 66° C)

*Synthetic Rubber Adhesive